

THE
BARRETO
MODEL E1320H/E1620B
HYDRAULIC REAR TINE TILLER
EXPLODED VIEWS WITH PART NUMBERS

CONGRATULATIONS!

You are now the proud owner of a BARRETO tiller. The following pages have detailed views of your tiller, along with corresponding part numbers. If you have any questions or need any replacement parts in the future, please contact us at your convenience. Our toll-free phone number, fax and email are listed below and parts may be ordered through any of these methods.

Thank you for your patronage and confidence in BARRETO equipment.

Barreto Manufacturing, Inc.
Innovative Equipment Engineered to Last
66498 Highway 203
La Grande, OR 97850
1-800-525-7348
1-541-963-6755 Fax
E-Mail: info@barretomfg.com
Web Site: <http://www.barretomfg.com>

Machine Identification Record

BARRETO Customer number _____

Machine model number _____

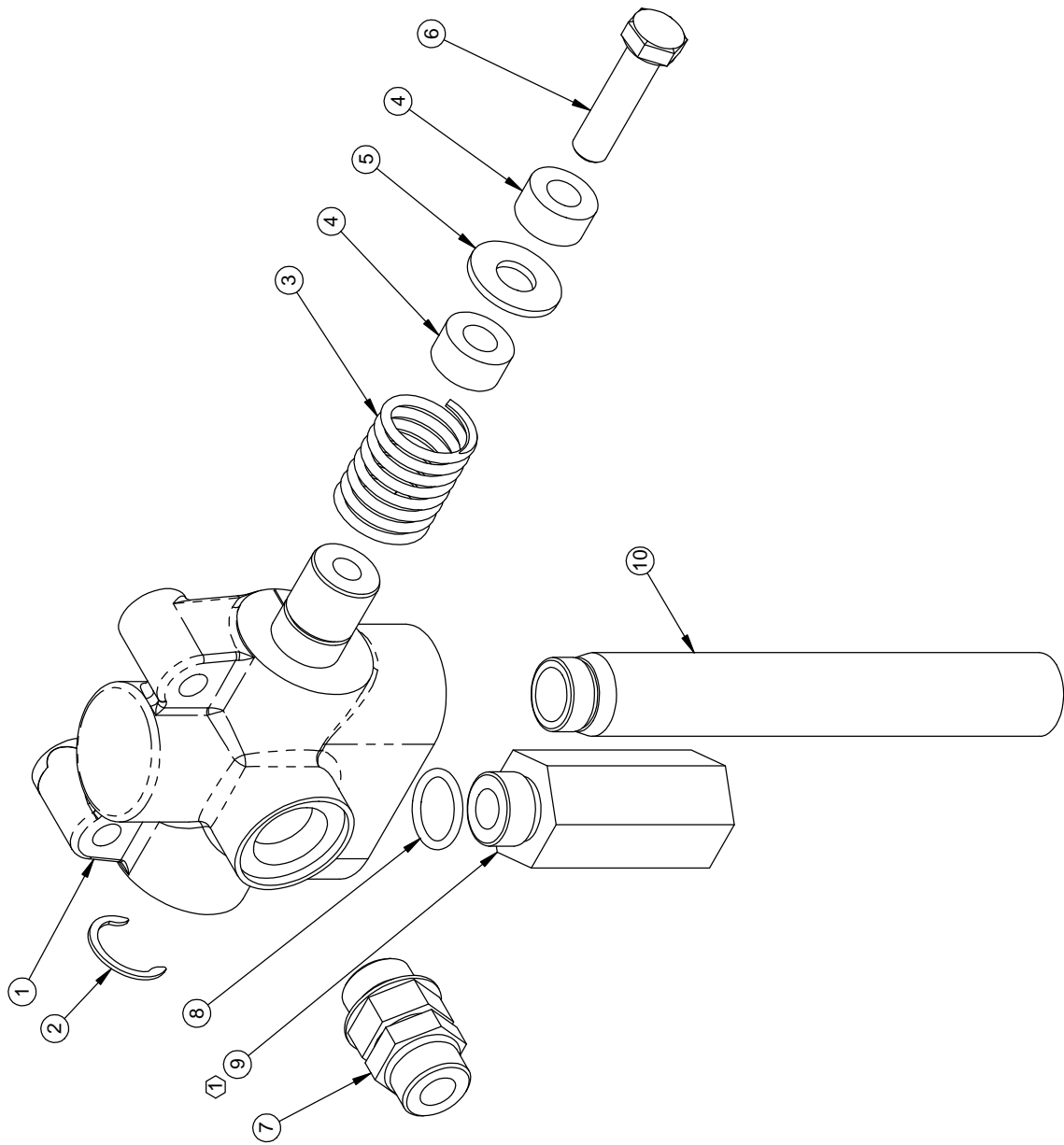
Machine serial number _____

Engine manufacturer _____

Engine model number _____

Engine serial number _____

REF. QTY.	PART NO.	DESCRIPTION
1	04016	ACTUATOR VALVE, O-RING PORTS
2	05028	C-CLIP, 3/4"
3	03055	SPRING, VALVE SPOOL RETURN
4	03056	COLLAR, 3/8 ID
5	05108	WASHER, 3/8 USS, ZINC
6	05092	HH CAP SCREW, 3/8-16 NC X 1-1/2 G5 ZINC
7	04567	FITTING, 6407-8-8
8	03077	O-RING, -8 FITTING
9	04008-BO	RELIEF VALVE, 3000 POUND, O-RING
10	10481	RETURN TUBE, #8 O-RING



① FOR 1620, USE PART NO. 04008-CO (3500 POUND RELIEF VALVE).

TITLE: ACTUATOR VALVE

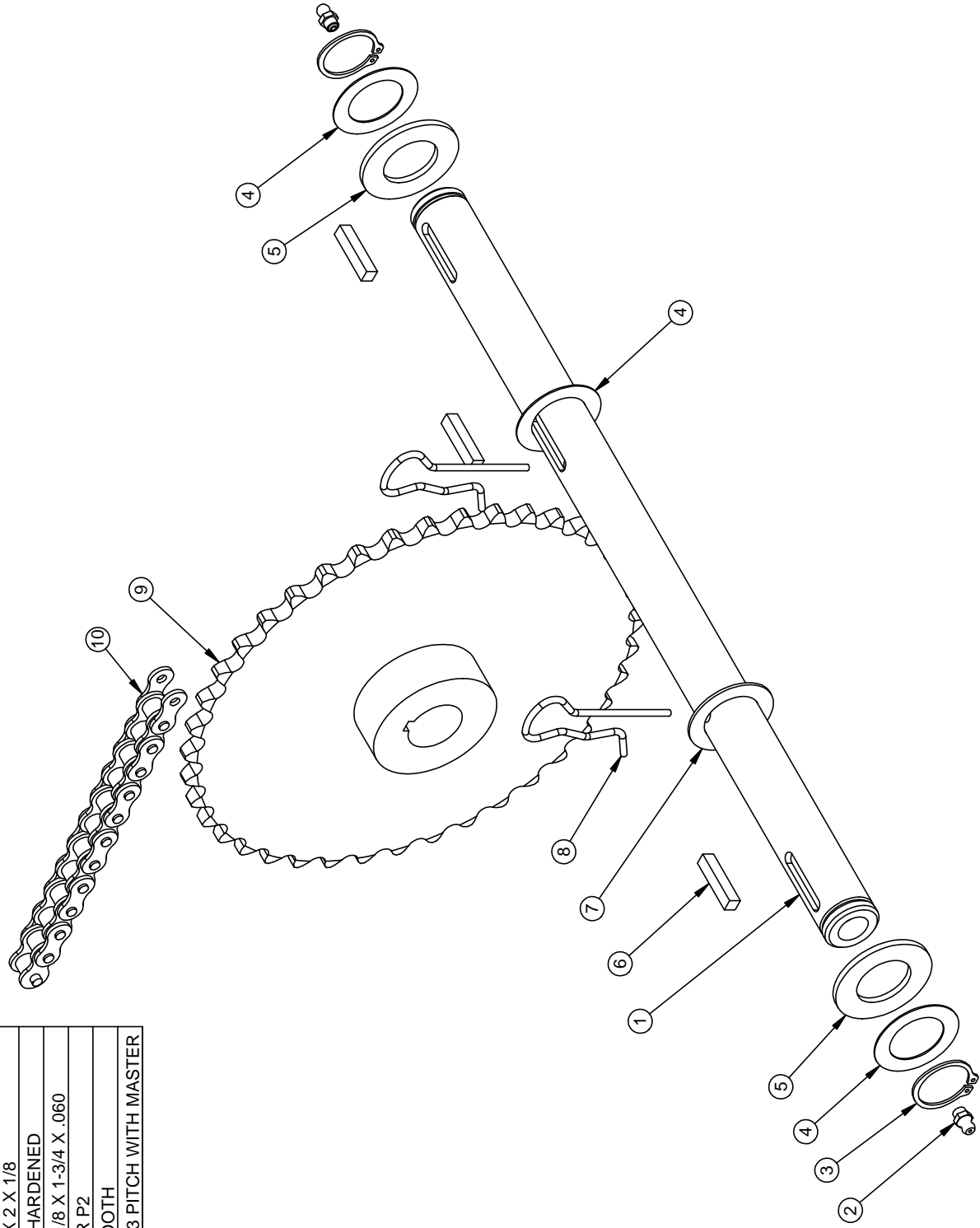
PRODUCT LINE: 1320 & 1620 DATE: 1/4/05

SCALE: 1:1.8 SHEET 1 OF 1

DWG# 00277

BARRETO

REF. QTY.	PART NO.	DESCRIPTION
1	10804	AXLE, FREE WHEEL HUBS ONLY
2	05044	GREASE ZERK, 1/4-28 UNF
3	05606	SNAP RING, 1-1/8" EXTERNAL
4	03008	THRUST WASHER, 1-1/8 X 1-3/4 X .030
5	03013	FELT WASHER, 1-1/8 X 2 X 1/8
6	05018	KEY, 1/4 X 1/4 X 1-1/4 HARDENED
7	03039	THRUST WASHER, 1-1/8 X 1-3/4 X .060
8	05033	HAIR SPRING COTTER P2
9	02006-F	SPROCKET, #50 40 TOOTH
10	03015-L	#50 ROLLER CHAIN, .63 PITCH WITH MASTER



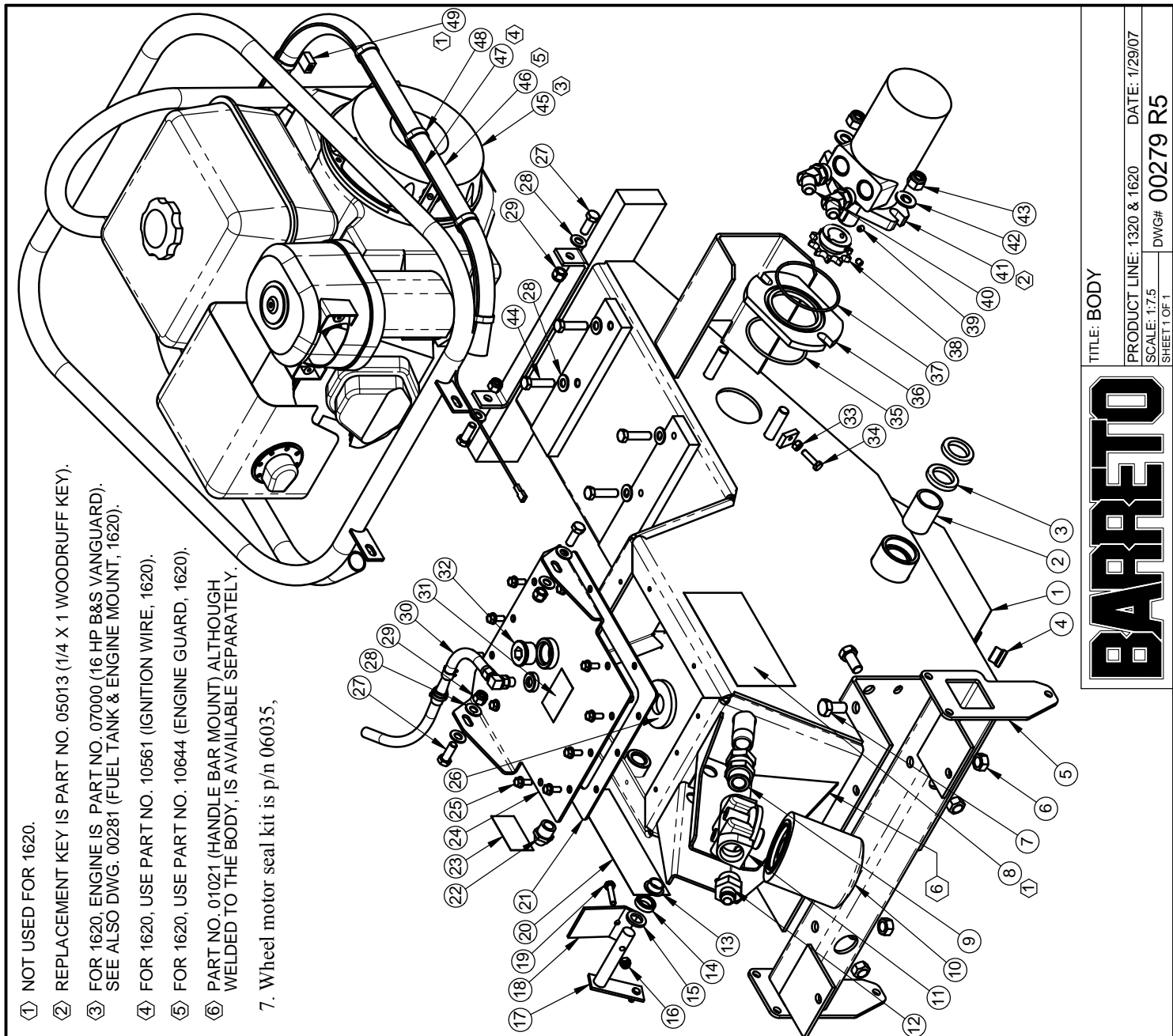
BARRETO

TITLE: AXLE,
FOR 1-1/8" FREE WHEEL HUBS

PRODUCT LINE: 1320 & 1620 7/21/05

SCALE: 1:3

SHEET 1 OF 1 DWG# 00278 R1



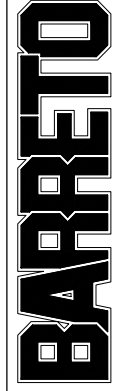
- ① NOT USED FOR 1620.
- ② REPLACEMENT KEY IS PART NO. 05013 (1/4 X 1 WOODRUFF KEY).
- ③ FOR 1620, ENGINE IS PART NO. 07000 (16 HP B&S VANGUARD). SEE ALSO DWG. 00281 (FUEL TANK & ENGINE MOUNT, 1620).
- ④ FOR 1620, USE PART NO. 10561 (IGNITION WIRE, 1620).
- ⑤ FOR 1620, USE PART NO. 10644 (ENGINE GUARD, 1620).
- ⑥ PART NO. 01021 (HANDLE BAR MOUNT) ALTHOUGH WELDED TO THE BODY, IS AVAILABLE SEPARATELY.

7. Wheel motor seal kit is p/n 06035,

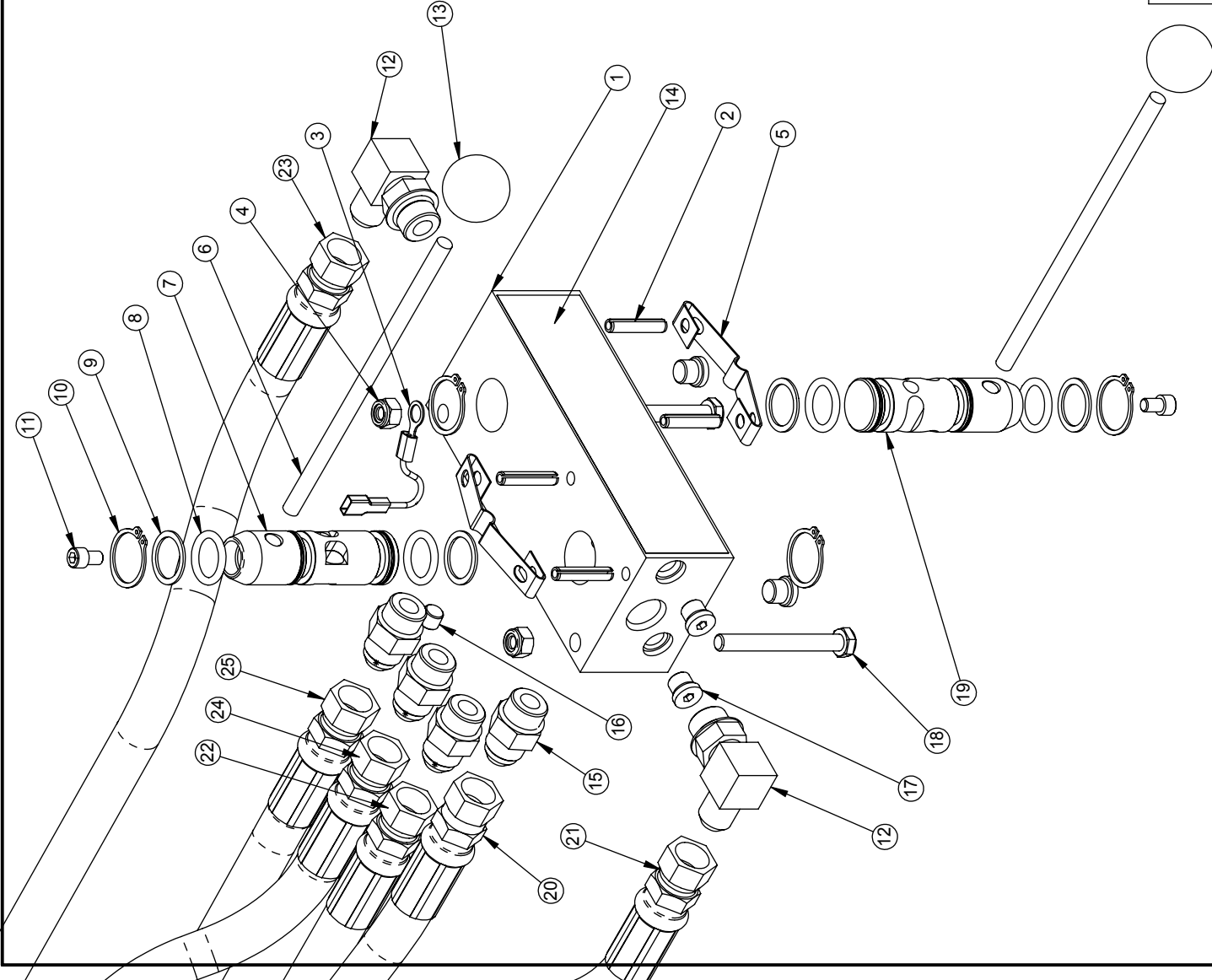
REF QTY.	PART NO.	DESCRIPTION
1	10532	BODY
2	03007	BUSHING, AXLE
3	03012	SEAL, AXLE
4	10361	FITTING, 6409-8 PLUG
5	10536	TORQUE TUBE, 21"
6	05046	NUT, GRIPCO, 1/2-13 NC G5 ZINC
7	05067	HH CAP SCREW, 1/2-13 NC X 1 G5 ZINC
8	03040-11	DECAL, "1320"
9	04221	FITTING, 6900-12-12
10	03951	FILTER, HYDRAULIC OIL, WITH BY-PASS
11	04403	FILTER HEAD, #12 O-RING
12	10808	FITTING, 6400-8-12
13	03060	BUSHING, IGUS MFI-1012-06
14	03020	SEAL
15	03061	FELT WASHER, 5/8 X 1 X 1/8
16	05096	NUT, NYLOCK, 1/4-20 NC ZINC
17	01038	ACTUATOR ARM
18	01037	ACTUATOR PLATE
19	05125	HH CAP SCREW, 1/4-20 NC X 1-1/4 G5 ZINC
20	03040-11	DECAL, "BARRETO", 2-3/16 X 7-3/8
21	03041	GASKET, TILLER LID
22	03503	SIGHT GAUGE
23	03040-57	DECAL, "HYDRAULIC OIL LEVEL"
24	01022	LID
25	05069	WHIZ LOCK, 1/4-20 NC X 5/8 ZINC
26	03520	MAGNET
27	05056	HH CAP SCREW, 3/8-24 NF X 1 G5 ZINC
28	05101	WASHER, 3/8 SAE ZINC
29	05072	NUT, NYLOCK, 3/8-24 NF ZINC
30	04517 R1	BREATHER HOSE ASSEMBLY
31	03040-06	DECAL, "HYDRAULIC OIL ONLY"
32	10526	FITTING, 6409-12 PLUG
33	05090	NUT, 1/4-20 NC ZINC
34	05237	HH CAP SCREW, 1/4-20 NC X 1 G5 ZINC
35	03000	O-RING, 2-234, 3-1/4 OD X 1/8 SECTION
36	02004	WHEEL MOTOR SPACER
37	03001	O-RING, 2-152, 3-7/16 OD X 3/32 SECTION
38	02014	SPROCKET, #50 10 TOOTH
39	05021	SET SCREW, 1/4-20 UNC X 5/16, CUP POINT
40	04557	FITTING, 6802-8-10
41	04003-F	WHEEL DRIVE MOTOR WITH KEY
42	05102	WASHER, 1/2 SAE ZINC HARDENED
43	05098	NUT, NYLOCK, 1/2-13 NC ZINC
44	05092	HH CAP SCREW, 3/8-16 NC X 1-1/2 G5 ZINC
45	07005	ENGINE, 13 HP HONDA GX390
46	01033-B	ENGINE GUARD, 1320
47	06422	IGNITION WIRE, 78"
48	03035	TIE WRAP, 1/8 X 6
49	03806	QUICK-SPLICE

TITLE: BODY

PRODUCT LINE: 1320 & 1620 DATE: 1/29/07
 SCALE: 1:7.5 DWG#: 00279 R5
 SHEET 1 OF 1



REF	QTY.	PART NO.	DESCRIPTION
1	1	04010	CONTROL VALVE BODY (ORDER 04010-K)
2	4	05200	ROLL PIN (SLOTTED SPRING), 1/4 X 1-1/4 ZINC
3	1	06421	GROUND WIRE, IGNITION SWITCH
4	2	05273	NUT, NYLOCK, 5/16-18 NC ZINC
5	2	03027	DETENT SPRING
6	2	02017	HANDLE, 5/16 X 7
7	1	04015-D	VALVE SPOOL, TINES (ORDER 04010-K)
8	4	03002	O-RING, 2-210, 1" OD X 1/8 SECTION
9	4	03025	BACK-UP RING, 1" TEFLON
10	4	05010	SNAP RING, 1" EXTERNAL
11	2	05573	SH CAP SCREW, 1/4-20 NC X 3/8 ZINC
12	2	04554	FITTING, 6801-8-8
13	2	03026	KNOB, 5/16-NC
14	1	03040	DECAL, CONTROL VALVE
15	4	04520	FITTING, 6400-8-8
16	1	05023	PIPE PLUG, 1/8"
17	4	03300	FITTING, 6409-4 PLUG
18	2	05065	HH CAP SCREW, 5/16-18 NC X 2-3/4 G5 ZINC
19	1	04015-C	VALVE SPOOL, WHEEL DRIVE (ORDER 04010-K)
20	1	04308	HOSE, CONTROL VALVE TO ACTUATOR TEE FITTING
21	1	04309 R1	HOSE, CONTROL VALVE TO TINE MOTOR REAR PORT
22	1	04310 R1	HOSE, CONTROL VALVE TO TINE MOTOR FRONT PORT
23	1	04311	HOSE, CONTROL VALVE TO WHEEL MOTOR LOWER PORT
24	1	04311	HOSE, CONTROL VALVE TO WHEEL MOTOR UPPER PORT
25	1	04313	HOSE, CONTROL VALVE TO OIL FILTER MOUNT

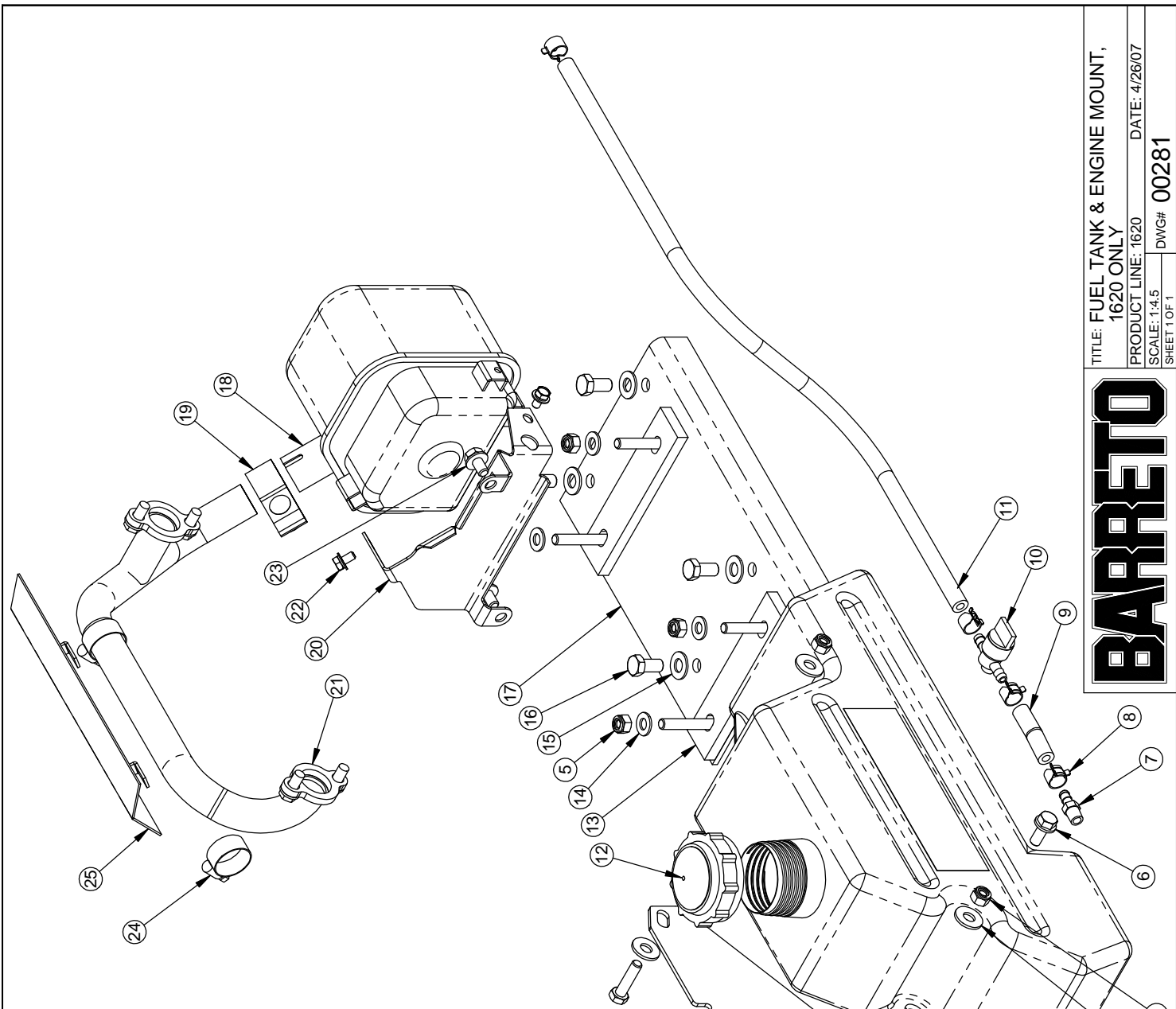


BARRRETO

TITLE: CONTROL VALVE

PRODUCT LINE: 1320 & 1620 DATE: 4/26/07

SCALE: 1:3 DWG# 00280 R2
SHEET 1 OF 1

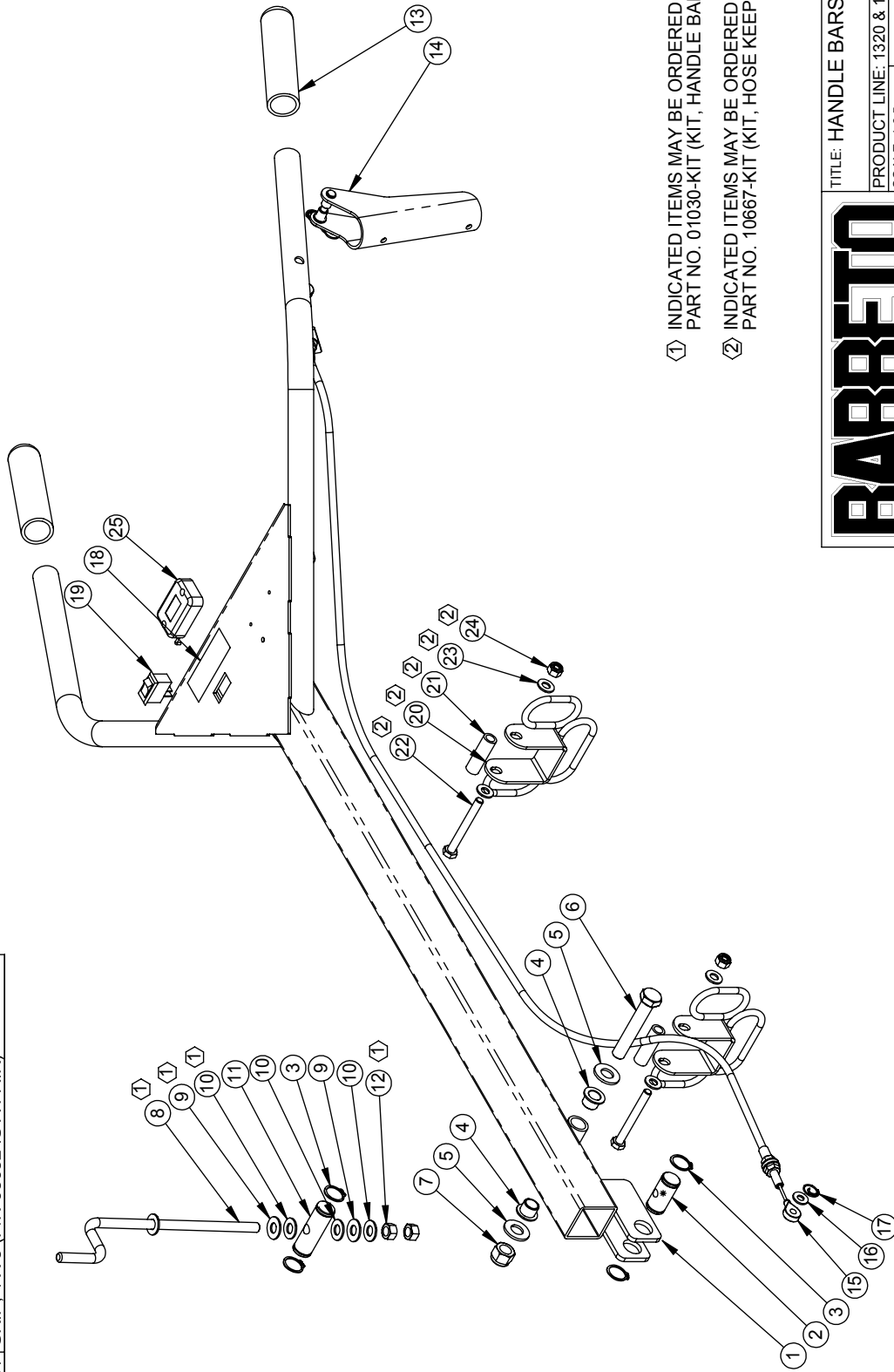


REF. QTY.	PART NO.	DESCRIPTION
1	2	05297 HH CAP SCREW, 5/16-18 NC X 1-1/4 G5 ZINC
2	4	10615 WASHER, 5/16 USS ZINC
3	1	10556 MOUNTING BRACKET, FUEL TANK
4	1	10559 FUEL TANK, 1620, INCLUDES KELCH CAP
5	6	05273 NUT, NYLOCK, 5/16-18 NC ZINC
6	1	05131 HH FLANGE SCREW, 5/16-18 NC X 3/4 G8 ZINC
7	1	03062-04 FITTING, 1/8 NPT TO 1/4 HOSE BIB, STRAIGHT
8	4	03062-06 CLAMP, 1/4" FUEL LINE
9	1	11346 HOSE, 1/4" GASOLINE, 4L5, 3 LONG
10	1	03062-03 FUEL SHUT OFF VALVE
11	1	11352 HOSE, 1/4" GASOLINE, 4L5, 24 LONG
12	1	03062-12 FUEL TANK CAP, KELCH
13	2	01014 SPACER, ENGINE
14	4	05068 WASHER, 5/16 SAE ZINC
15	4	05101 WASHER, 3/8 SAE ZINC
16	4	05057 HH CAP SCREW, 3/8-16 NC X 3/4 G5 ZINC
17	1	01013 MOUNTING PLATE, 16 HP B&S ENGINE
18	1	07000-01 MUFFLER, B&S 16HP VANGUARD
19	1	07000-02 CLAMP, MUFFLER, WITH CARRIAGE BOLT & NUT
20	1	07000-03 MOUNTING BRACKET, MUFFLER
21	1	07000-04 MANIFOLD WITH GASKETS & FASTENERS
22	2	03070 SCREW, 6MM
23	2	03071 SCREW, 8MM
24	2	05041 HOSE CLAMP, 1" SS
25	1	01040 HEAT SHIELD, 16 HP B&S ENGINE

BARRETO

TITLE: FUEL TANK & ENGINE MOUNT,
1620 ONLY
PRODUCT LINE: 1620 DATE: 4/26/07
SCALE: 1:4.5 DWG#: 00281
SHEET 1 OF 1

REF QTY.	PART NO.	DESCRIPTION	REF QTY.	PART NO.	DESCRIPTION
1	01017	HANDLE BARS	14	03029	LEVER ASSEMBLY (COMPLETE)
2	02027-L	HANDLE BAR ADJUSTER PIN, LOWER	15	03045	CABLE, ACTUATOR
3	05216	SNAP RING, 3/4 EXTERNAL	16	05081	WASHER, 1/4 SAE ZINC
4	03501	BUSHING, IGUS MFI-0810-08	17	05039	CIRCLE COTTER CC-3
5	05102	WASHER, 1/2 SAE ZINC HARDENED	18	03341-07	DECAL, "IGNITION OFF/ON"
6	05093	HH CAP SCREW, 1/2-13 NC X 3 G5 ZINC	19	06420	ROCKER SWITCH, IGNITION OFF/ON
7	05098	NUT, NYLOCK, 1/2-13 NC ZINC	20	10667	HOSE KEEPER
8	01030	CRANK, HANDLE BAR ADJUSTMENT	21	10668	SPACER, HOSE KEEPER
9	05058	WASHER, 3/8 NYLON	22	05065	HH CAP SCREW, 5/16-18 NC X 2-3/4 G5 ZINC
10	05103	WASHER, 3/8 A325 HARDENED ZINC	23	05068	WASHER, 5/16 SAE ZINC
11	02027-U	PIN, HANDLE BAR ADJUSTMENT, UPPER	24	05273	NUT, NYLOCK, 5/16-18 NC ZINC
12	05269	NUT, 3/8-16 NC GRB ZINC	25	03009 R1	HOUR METER, WITH FLASH ALERT
13	03032-01	GRIP, 1 X 5 (PIN 03032 IS A PAIR)			



- ① INDICATED ITEMS MAY BE ORDERED AS A KIT, PART NO. 01030-KIT (KIT, HANDLE BAR ADJUSTMENT).
- ② INDICATED ITEMS MAY BE ORDERED AS A KIT, PART NO. 10667-KIT (KIT, HOSE KEEPER W/FASTENERS).

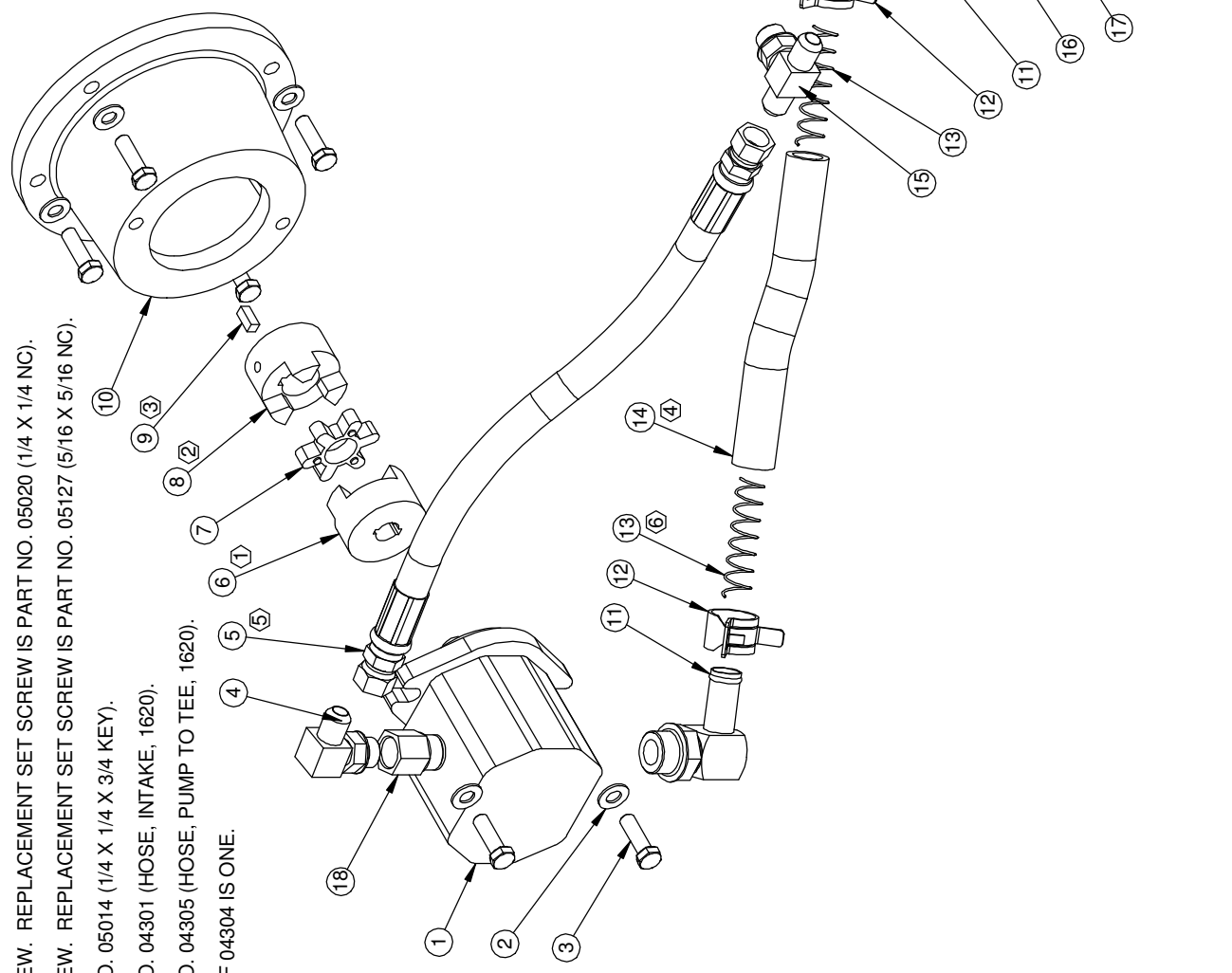
BARRETO

TITLE: HANDLE BARS & CRANK

PRODUCT LINE: 1320 & 1620 1/16/07
 SCALE: 1:6.5 DWG# 00282 R1
 SHEET 1 OF 1

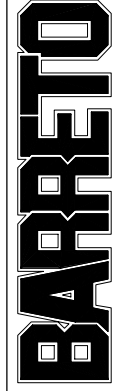
NOTES:

- ① COMES WITH SET SCREW. REPLACEMENT SET SCREW IS PART NO. 05020 (1/4 X 1/4 NC).
- ② COMES WITH SET SCREW. REPLACEMENT SET SCREW IS PART NO. 05127 (5/16 X 5/16 NC).
- ③ FOR 1620, USE PART NO. 05014 (1/4 X 1/4 X 3/4 KEY).
- ④ FOR 1620, USE PART NO. 04301 (HOSE, INTAKE, 1620).
- ⑤ FOR 1620, USE PART NO. 04305 (HOSE, PUMP TO TEE, 1620).
- ⑥ FOR 1620, QUANTITY OF 04304 IS ONE.



REF. QTY.	PART NO.	DESCRIPTION
1	04004-A	PUMP, HYDRAULIC
2	05101	WASHER, 3/8 SAE ZINC
3	05091	HH CAP SCREW, 3/8-16 NC X 1-1/4 G5 ZINC
4	04554	FITTING, 6801-8-8
5	04306	HOSE, PUMP TO TEE, 1320
6	03021	JAW COUPLER, PUMP, 5/8" BORE
7	03022	SPIDER, RUBBER
8	03023	JAW COUPLER, 1-1/8" BORE L095
9	05014-A	KEY, 1/4 X 1/4 X 5/8
10	02016	PUMP ADAPTER
11	04202	FITTING, 4601-12-12
12	05008	CLAMP, 1" HOSE, CTB-29
13	04304	SPRING, 3/4" INTAKE HOSE
14	04302	HOSE, INTAKE, 1320
15	04017	FITTING, 6803-8-8-8
16	10247	SUMP SCREEN #20 EXT #12 INT O-RING
17	03293	O-RING, 3-920N90, -20 FITTINGS
18	04209	FITTING, 6410-10-8

TITLE: PUMP

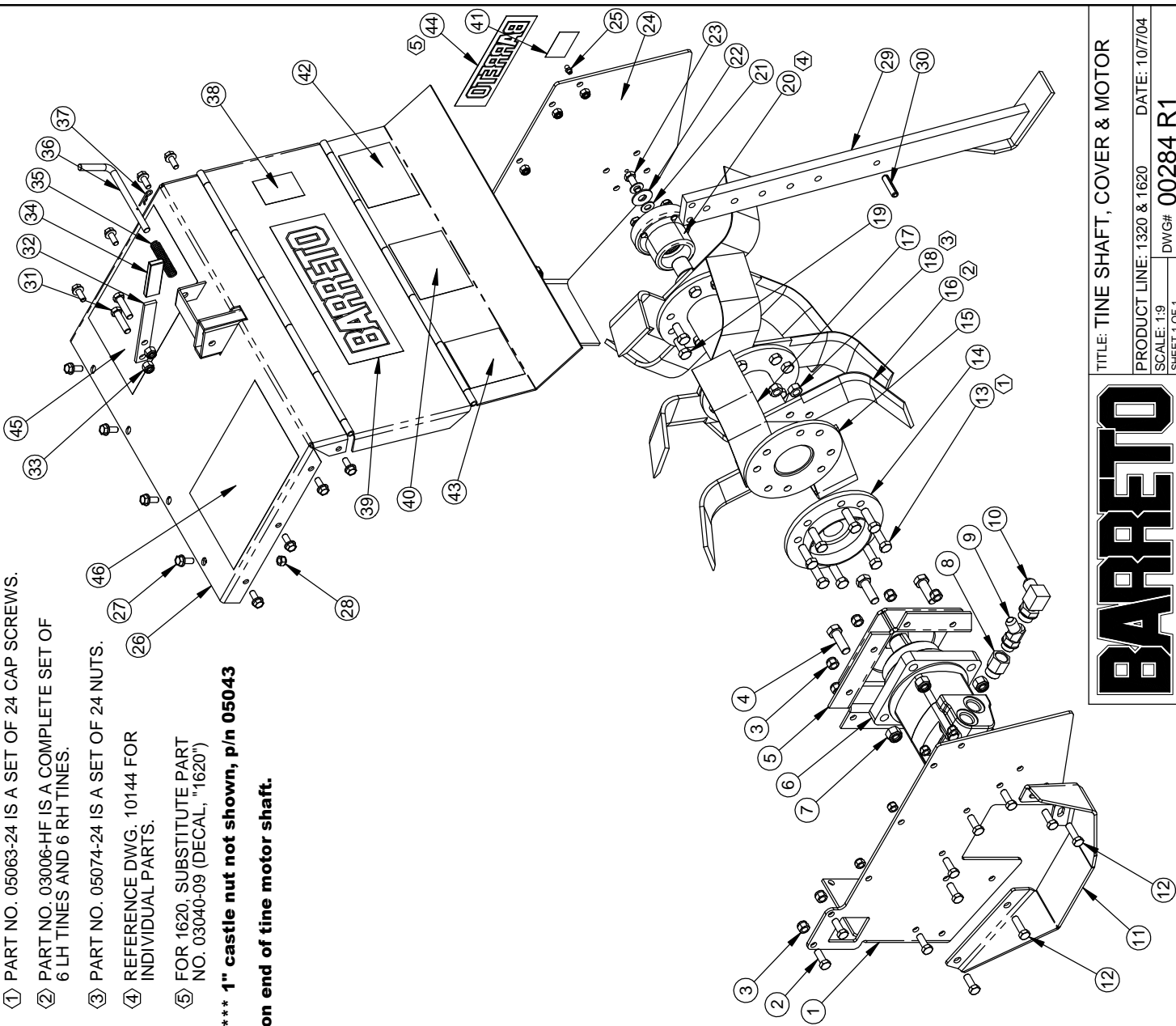


PRODUCT LINE: 1320 & 1620 DATE: 9/5/07
 SCALE: 1:4.5 DWG# 00283 R1
 SHEET 1 OF 1

REF. QTY.	PART NO.	DESCRIPTION
1	10539	LH SIDE PLATE, TINE SECTION
2	05056	HH CAP SCREW, 3/8-24 NF X 1 G5 ZINC
3	05072	NUT, NYLOCK, 3/8-24 NF
4	05300-01	HH CAP SCREW, 1/2-13 NC X 1-1/2 G5 ZINC
5	01009	TINE MOTOR MOUNTING BRACKET
6	04000T-F	TINE MOTOR, 6.2 CU IN WITH KEY & NUT
7	05098	NUT, NYLOCK, 1/2-13 NC
8	04209	FITTING, 6410-10-8
9	04210	FITTING, 6802-8-8
10	04211	FITTING, 6801-8-10
11	01024	TINE MOTOR GUARD
12	05292	HH CAP SCREW, 3/8-24 NF X 1-1/4 G5 ZINC
13	05063	HH CAP SCREW, 7/16-20 NF X 1-1/4 G8 ZINC
14	01010-SGT	TINE MOTOR HUB, TAPERED BORE
15	01011	TINE SHAFT
16	03006-L	LH TINE, HARDFACED
17	03006-R	RH TINE, HARDFACED
18	05074	NUT, 7/16-20 NF G8 ZINC
19	05061	HH CAP SCREW, 7/16-20 NF X 1 G8 ZINC
20	10144	OUTBOARD BEARING ASSEMBLY
21	05103	WASHER, 3/8 A325 HARDENED ZINC
22	05083	WASHER, 7/16 USS ZINC
23	05059	HH CAP SCREW, 3/8-16 NC X 1 G5 ZINC
24	10538	RH SIDE PLATE, TINE SECTION
25	05044	GREASE ZERK, 1/4-28 UNF
26	01008	TINE COVER, 1320/1620
27	05140	WHIZ LOCK, 5/16 x 3/4
28	05273	NUT, NYLOCK, 5/16-18 NC
29	01012	DEPTH BAR
30	05006	ROLL PIN (SLOTTED SPRING), 3/8 X 1-1/2 ZINC
31	05092	HH CAP SCREW, 3/8-16 NC X 1-1/2 G5 ZINC
32	01099	HANDLE, DEPTH BAR
33	05073	NUT, NYLOCK, 3/8-16 NC
34	03018	GRIP
35	03080	SPRING
36	01018	PIN, DEPTH BAR
37	03065	HAIR SPRING COTTER #4
38	03040-01	DECAL, "MADE IN USA"
39	03040-02	DECAL, "BARRETO", 3-1/2 X 11-1/4
40	03040-03	DECAL, "CAUTION" (BLACK & WHITE)
41	03040-04	DECAL, "GREASE DAILY"
42	03040-07	DECAL, "CAUTION" (YELLOW)
43	03040-08	DECAL, "WARNING" (YELLOW)
44	03040-11	DECAL, "BARRETO", 2-3/16 X 7-3/8
45	03341-22	DECAL, "TILLER OPERATING INSTRUCTIONS"
46	03341-23	DECAL, "TILLER SAFETY INSTRUCTIONS"

- ① PART NO. 05063-24 IS A SET OF 24 CAP SCREWS.
- ② PART NO. 03006-HF IS A COMPLETE SET OF 6 LH TINES AND 6 RH TINES.
- ③ PART NO. 05074-24 IS A SET OF 24 NUTS.
- ④ REFERENCE DWG. 10144 FOR INDIVIDUAL PARTS.
- ⑤ FOR 1620, SUBSTITUTE PART NO. 03040-09 (DECAL, "1620")

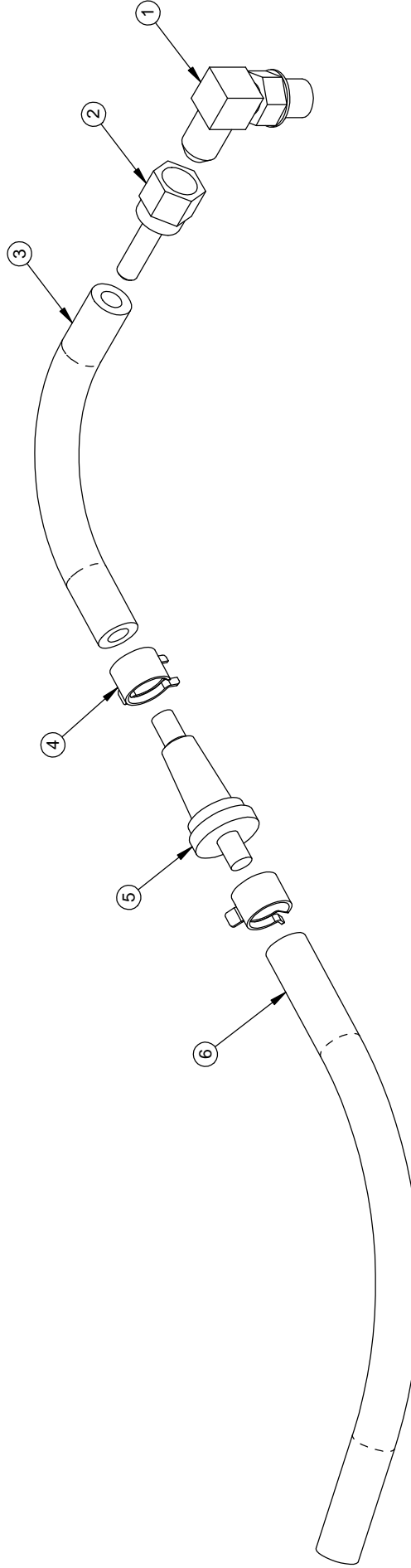
*** 1" castle nut not shown, p/n 05043 on end of tine motor shaft.



BARRETO

TITLE: TINE SHAFT, COVER & MOTOR
 PRODUCT LINE: 1320 & 1620 DATE: 10/7/04
 SCALE: 1:9 DWG# 00284 R1
 SHEET 1 OF 1

REF. QTY.	PART NO.	DESCRIPTION
1	04555	FITTING, 6801-4-4
2	04214	FITTING, JS-4-4, HOSE BARB 1/4 X 1/4 SWIVEL
3	11350	HOSE, 1/4 INCH GASOLINE, 4L5, 5" LONG
4	03062-06	CLAMP, 1/4" FUEL LINE
5	04516	BREATHER, FILTER SNAPPER 1435
6	11351	HOSE, 1/4 INCH GASOLINE, 4L5, 8" LONG



NOTES:

1. USAGE: 1 PER 1320 & 1620

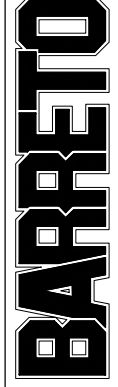
TITLE: BREATHER HOSE ASSEMBLY

PRODUCT LINE: 1320 & 1620 DATE: 4/26/07

SCALE: 1:1.8

SHEET 1 OF 1

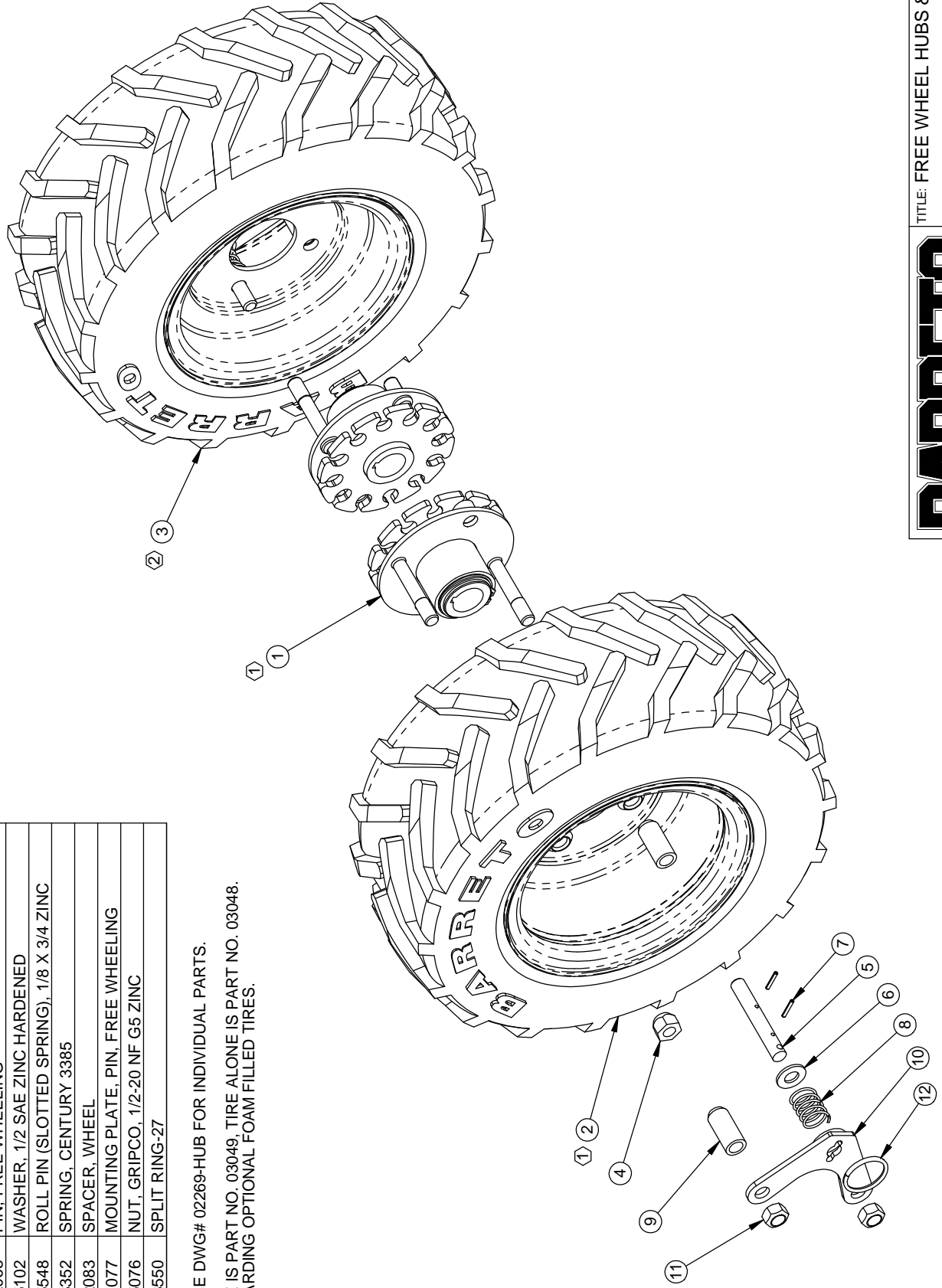
DWG# 04517 R1



REF. QTY.	PART NO.	DESCRIPTION
1	2	02269-HUB
		WHEEL HUB ASSY, 1-1/8" BORE
2	1	03047
		TIRE & RIM, TILLER RH, TRENCHER LH, 16 X 6.50 -8
3	1	03046
		TIRE & RIM, TILLER LH, TRENCHER RH, 16 X 6.50 -8
4	2	05042
		NUT, LUG, 1/2-20 NF
5	2	02068
		PIN, FREE WHEELING
6	2	05102
		WASHER, 1/2 SAE ZINC HARDENED
7	4	05548
		ROLL PIN (SLOTTED SPRING), 1/8 X 3/4 ZINC
8	2	03352
		SPRING, CENTURY 3385
9	4	02083
		SPACER, WHEEL
10	2	01077
		MOUNTING PLATE, PIN, FREE WHEELING
11	4	05076
		NUT, GRIPCO, 1/2-20 NF G5 ZINC
12	2	03550
		SPLIT RING-27

① REFERENCE DWG# 02269-HUB FOR INDIVIDUAL PARTS.

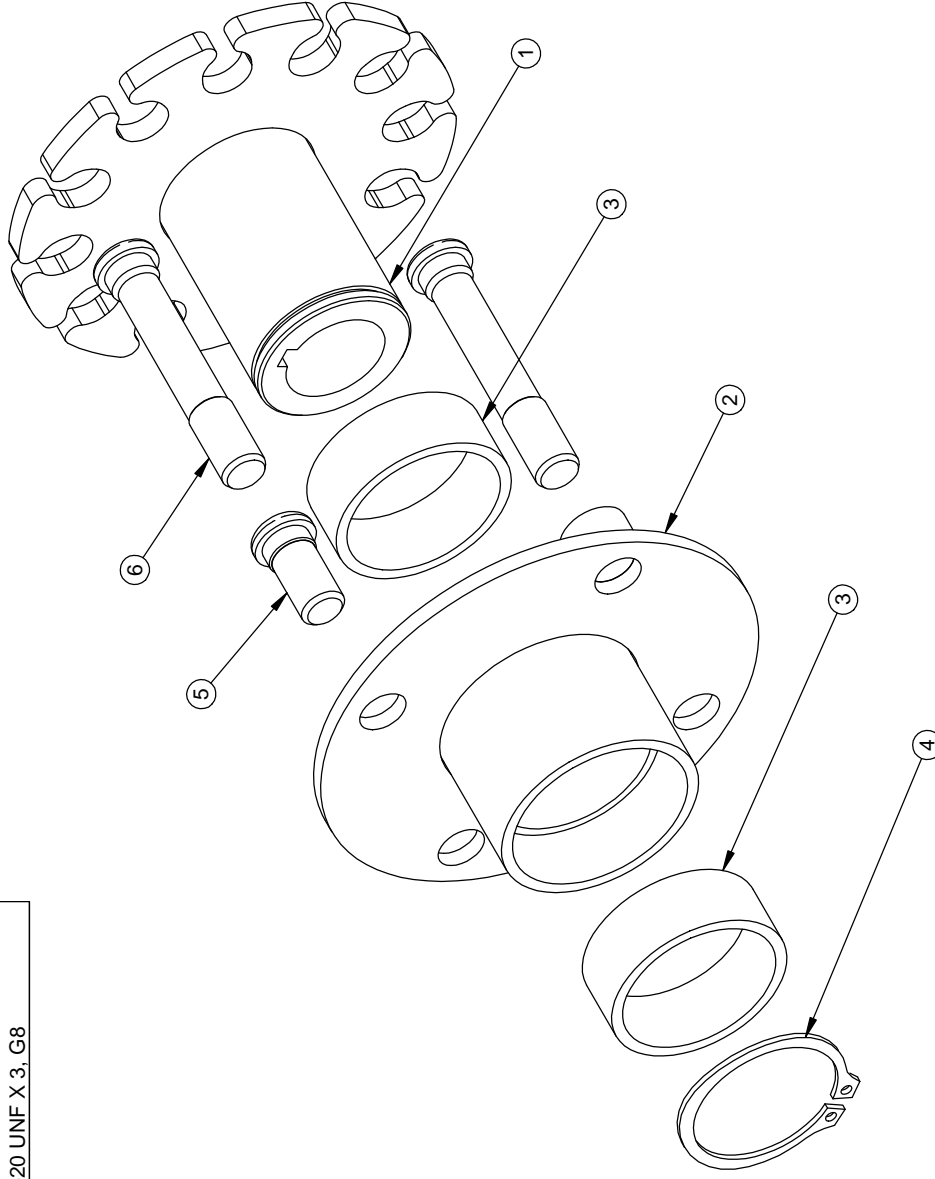
② RIM ALONE IS PART NO. 03049, TIRE ALONE IS PART NO. 03048.
CALL REGARDING OPTIONAL FOAM FILLED TIRES.



BARRETO

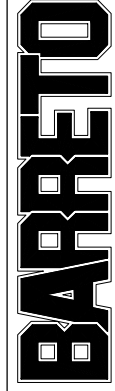
TITLE: FREE WHEEL HUBS & WHEELS
 PRODUCT LINE: 1320 & 1620 DATE: 8/9/07
 SCALE: 1:5 DWG# 10388
 SHEET 1 OF 1

REF. QTY.	PART NO.	DESCRIPTION
1	02269	WHEEL HUB
2	01252	FREE WHEEL HUB
3	03168	BUSHING, SLEEVE, NYLON, IGUS MSI-2832-12
4	05610	SNAP RING, SH-175, 1-3/4" EXTERNAL
5	05066	KNURLED STUD, 1/2-20 UNF X 1, G8
6	05166	KNURLED STUD, 1/2-20 UNF X 3, G8



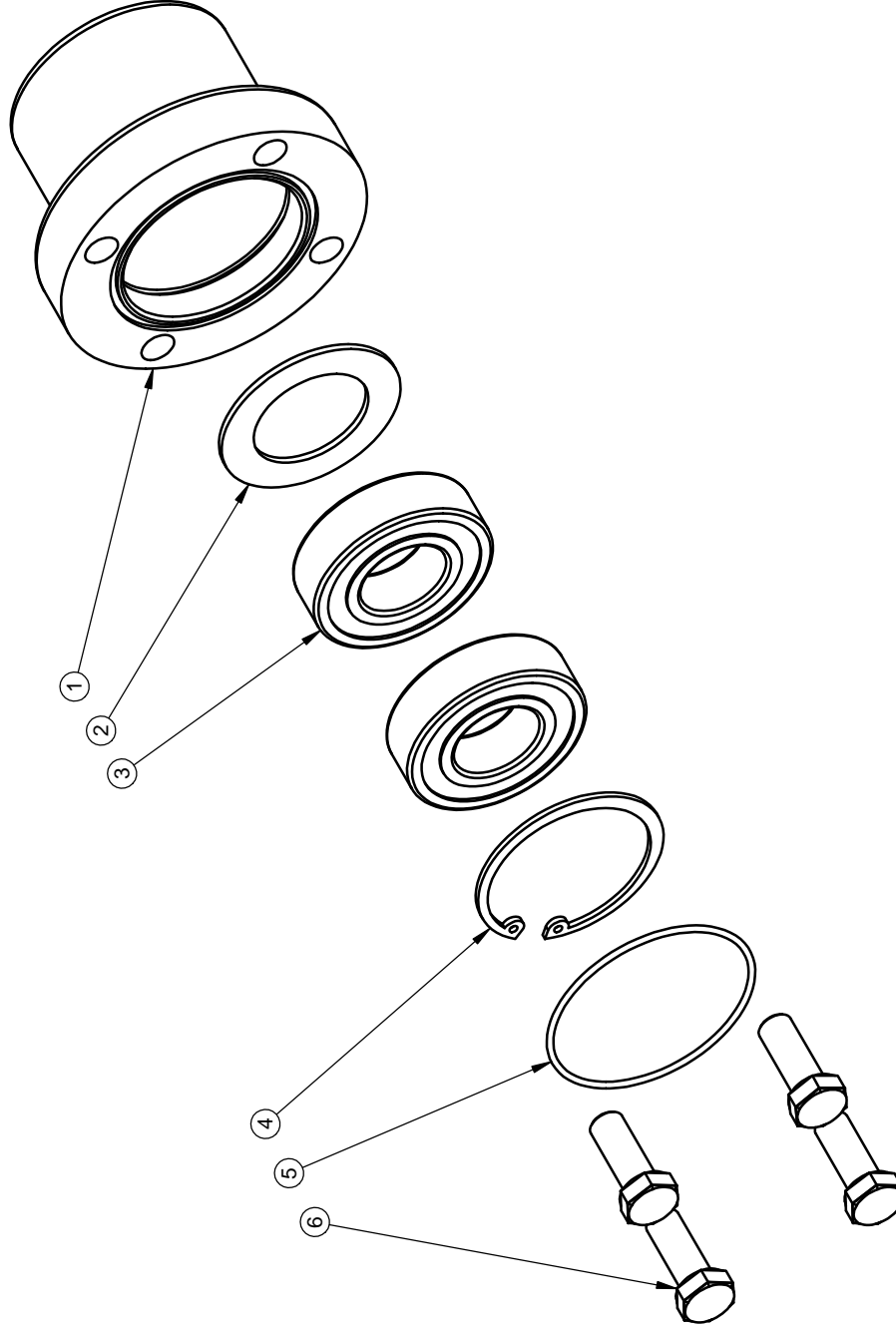
NOTES:

- 1. USAGE: 2 PER 00231 R3, 00256 R1, & 10388.
- 1 OF 00231 R3 PER 1318.
- 1 OF 00256 R1 PER 912, 916 & 918.
- 1 OF 10388 PER 1320 & 1620.



TITLE: WHEEL HUB ASSY, 1-1/8" BORE
 PRODUCT LINE: COMMON DATE: 8/6/07
 SCALE: 1:2 DWG#: 02269-HUB
 SHEET 1 OF 1

REF	QTY.	PART NO.	DESCRIPTION
1	1	10142	OUTBOARD BEARING HOUSING, 4 BOLT
2	1	01026	SHIELD, OUTBOARD BEARING
3	2	03043	BALL BEARING, 6205
4	1	05024	SNAP RING, HO-200, 2" INTERNAL
5	1	03904	O-RING, 2-035, 2-3/8 OD X 1/16 SECTION
6	4	05059	HH CAP SCREW, 3/8-16 NC X 1 G5 ZINC



BARRETO

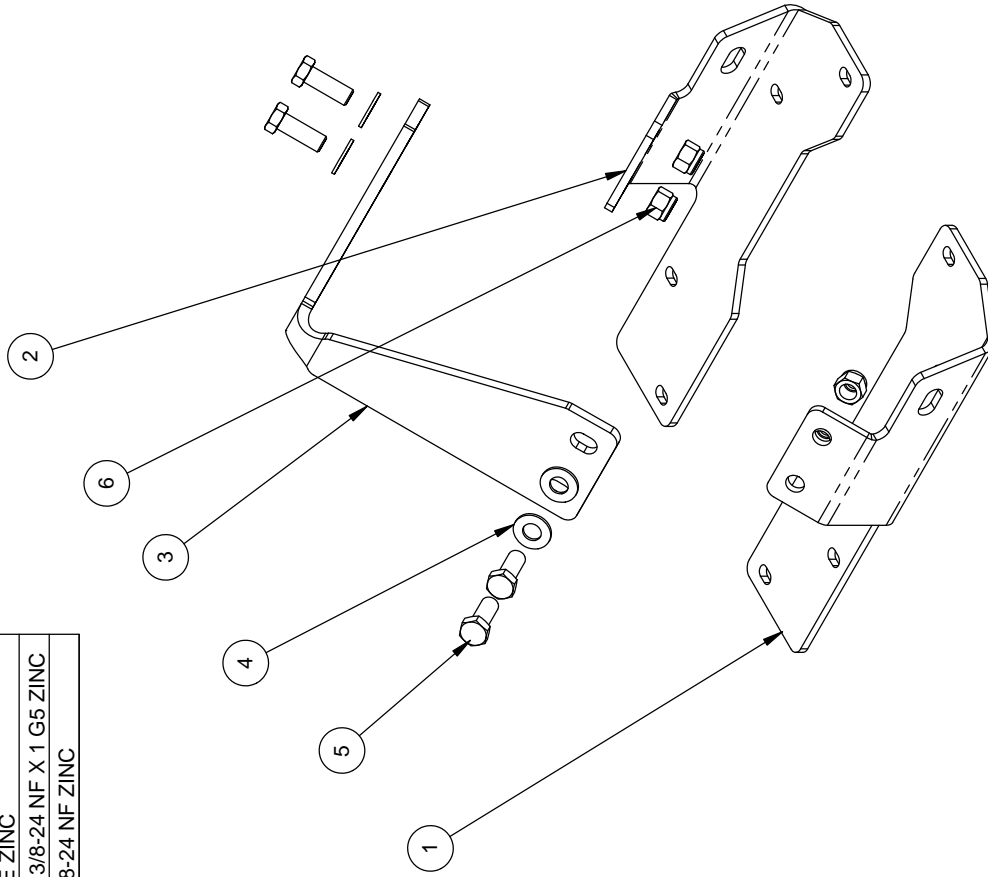
TITLE: OUTBOARD BEARING ASSEMBLY,
4 BOLT

PRODUCT LINE: COMMON DATE: 3/2/04

SCALE: 1:2 DWG# 10144

SHEET 1 OF 1

ITEM NO.	QTY.	PART NO.	DESCRIPTION
1	1	12102-R	LIFT MOUNT, RT
2	1	12102-L	LIFT MOUNT, LEFT
3	1	12101	LIFT LOOP
4	4	05101	WASHER, 3/8 SAE ZINC
5	4	05056	HH CAP SCREW, 3/8-24 NF X 1 G5 ZINC
6	4	05072	NUT, NYLOCK, 3/8-24 NF ZINC



TITLE: LIFT EYE, BOLT-ON

PRODUCT LINE: 1320 / 1620 DATE: 06-14

SCALE: 1:4 DWG# A1555

SHEET 1 OF 1

